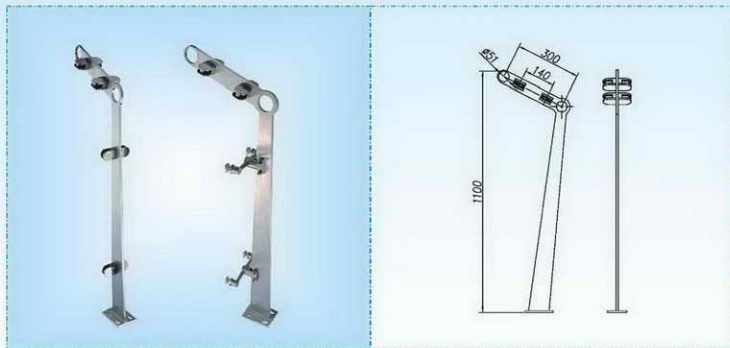
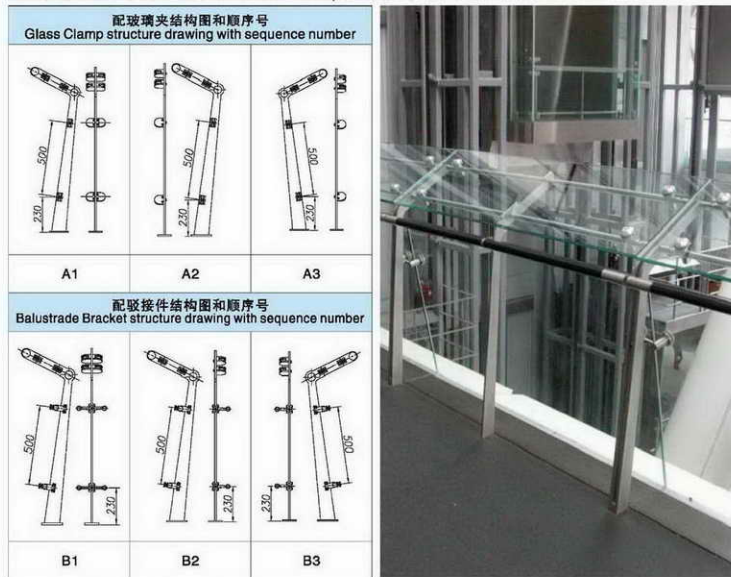


单板立柱BD7 Single-plate Pillar BD7

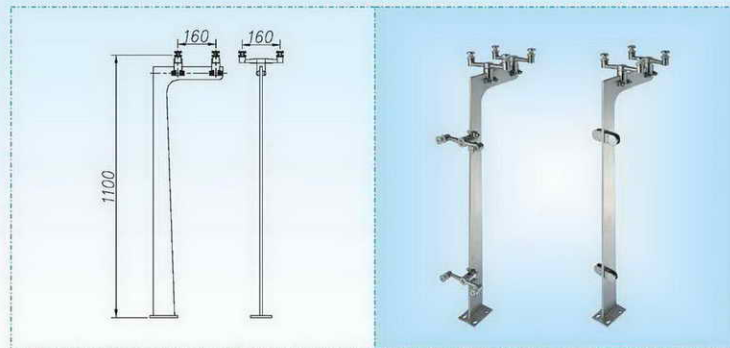


●玻璃夹标配B03P、驳接爪件标配T05 Glass Clamp with B03P, Balustrade Bracket with T05

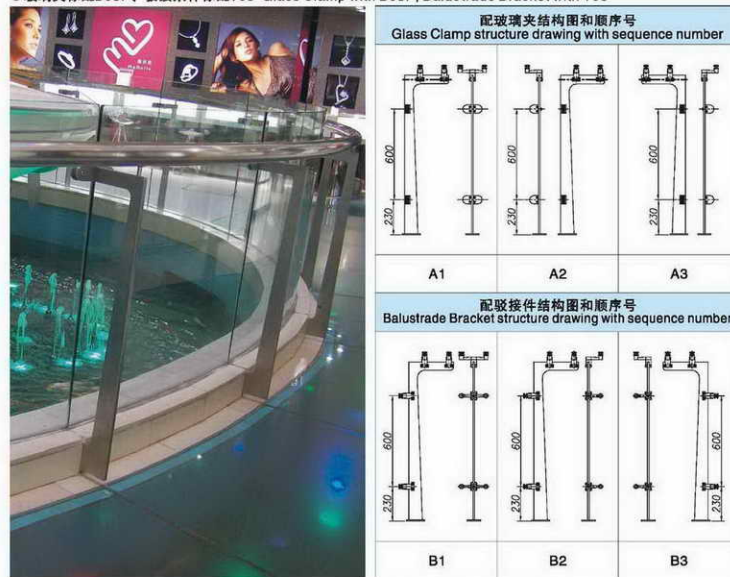


注：A2与A3、B2与B3为同类立柱
Note: A2&A3, B2&B3 are same type pillars

Single-plate Pillar BD8 单板立柱BD8

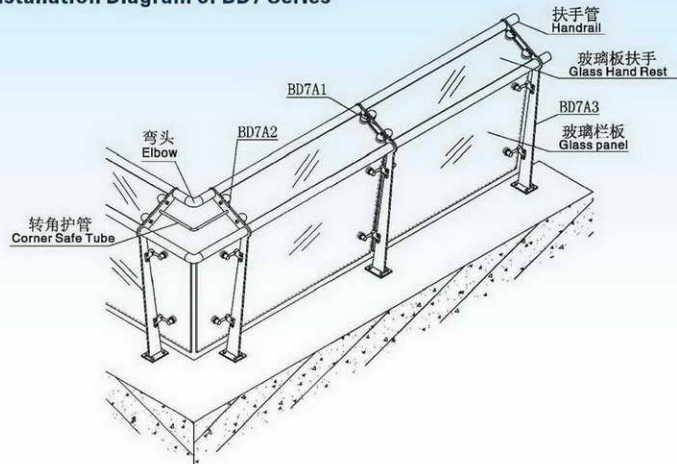


●玻璃夹标配B03P、驳接爪件标配T05 Glass Clamp with B03P, Balustrade Bracket with T05

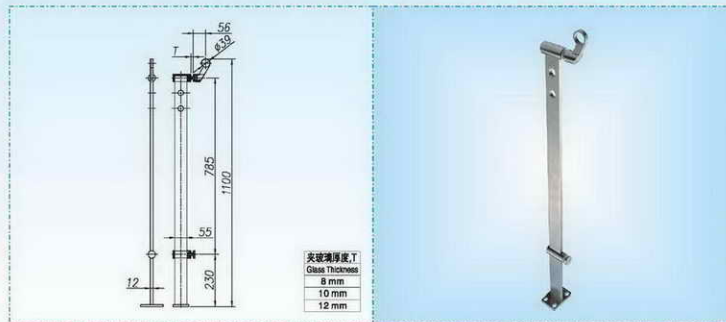


注：A2与A3、B2与B3为同类立柱
Note: A2&A3, B2&B3 are same type pillars

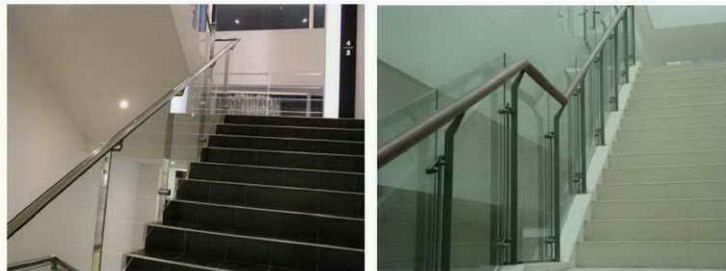
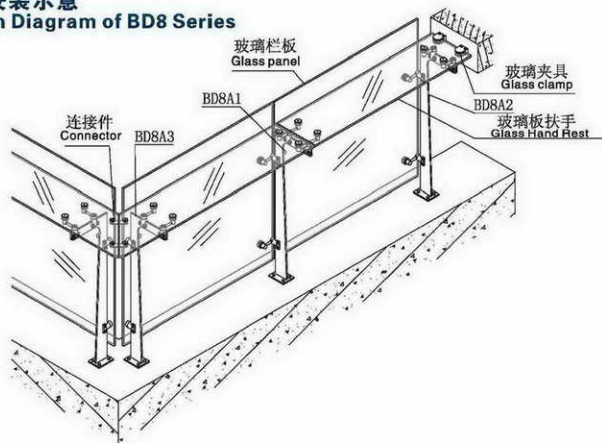
BD7系列安装示意
Installation Diagram of BD7 Series



Single-plate Pillar BD9 (Fixed) 单板立柱BD9(固定式)



BD8系列安装示意
Installation Diagram of BD8 Series



双板立柱BS1 Double-plate Pillar BS1



●玻璃夹标配B03P、驳接爪件标配T05 Glass Clamp with B03P, Balustrade Bracket with T05

配玻璃夹结构图和顺序号 Glass Clamp structure drawing with sequence number					
A1	A2	A3	A4	A5	A6
配驳接件结构图和顺序号 Balustrade Bracket structure drawing with sequence number					
B1	B2	B3	B4	B5	B6

注：A2与A3、A5与A6、B2与B3、B5与B6为同类立柱
Note: A2&A3, A5&A6, B2&B3, B5&B6 are same type pillars

Double-plate Pillar BS2 双板立柱BS2

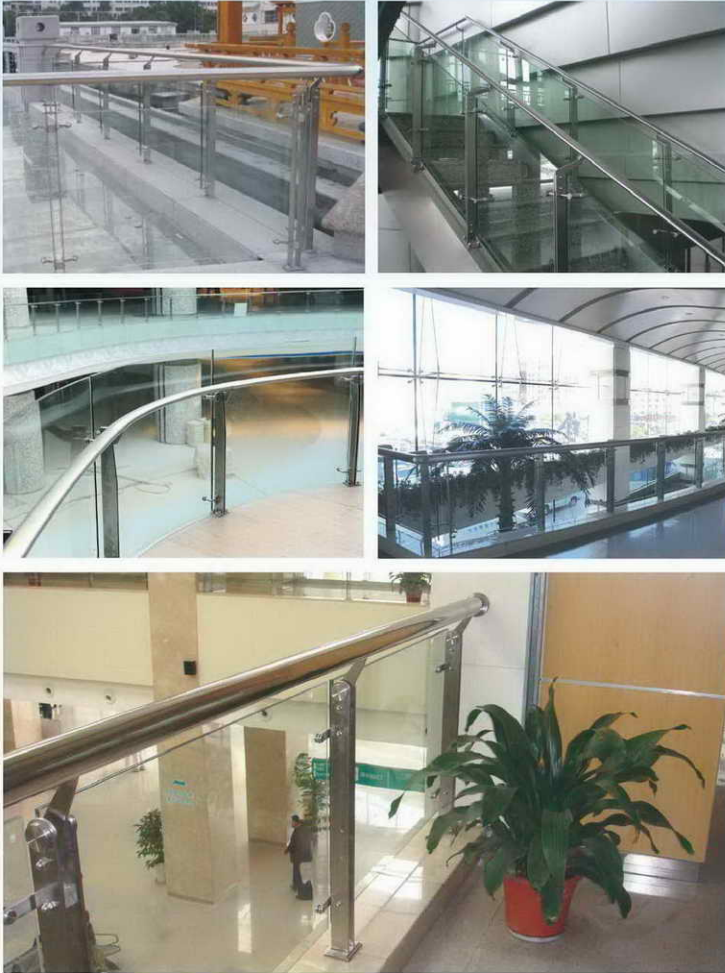


●玻璃夹标配B03P、驳接爪件标配T05 Glass Clamp with B03P, Balustrade Bracket with T05

配玻璃夹结构图和顺序号 Glass Clamp structure drawing with sequence number					
A1	A2	A3	A4	A5	A6
配驳接件结构图和顺序号 Balustrade Bracket structure drawing with sequence number					
B1	B2	B3	B4	B5	B6

注：A2与A3、A5与A6、B2与B3、B5与B6为同类立柱
Note: A2&A3, A5&A6, B2&B3, B5&B6 are same type pillars

Double-plate Pillar BS3 双板立柱BS3



●玻璃夹标配B03P、联接爪件标配T05 Glass Clamp with B03P, Balustrade Bracket with T05

配玻璃夹结构图和顺序号
Glass Clamp structure drawing with sequence number

A1	A2	A3	A4	A5	A6

配联接件结构图和顺序号
Balustrade Bracket structure drawing with sequence number

B1	B2	B3	B4	B5	B6

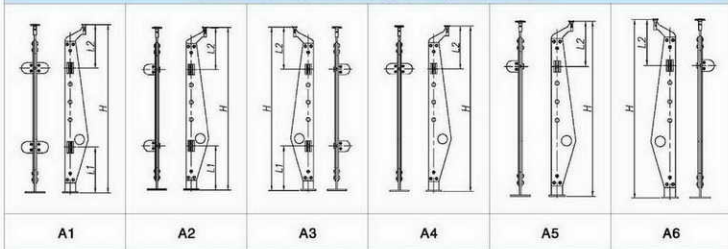
注：A2与A3、A5与A6、B2与B3、B5与B6为同类立柱
Note: A2&A3, A5&A6, B2&B3, B5&B6 are same type pillars

双板立柱BS4 Double-plate Pillar BS4

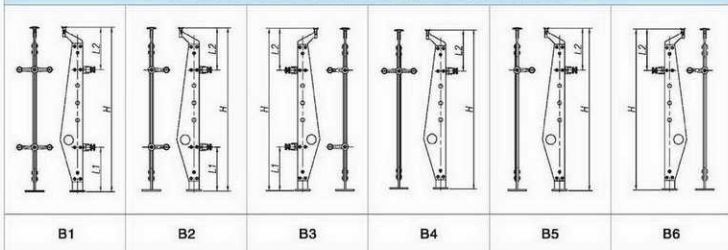


● 玻璃夹标配B03P、驳接爪件标配T05 Glass Clamp with B03P, Balustrade Bracket with T05

配玻璃夹结构图和顺序号
Glass Clamp structure drawing with sequence number



配驳接件结构图和顺序号
Balustrade Bracket structure drawing with sequence number



注：A2与A3、A5与A6、B2与B3、B5与B6为同类立柱
Note: A2&A3, A5&A6, B2&B3, B5&B6 are same type pillars



双板立柱BS5 Double-plate Pillar BS5



●玻璃夹标配B03P、驳接爪件标配T05 Glass Clamp with B03P, Balustrade Bracket with T05

配玻璃夹结构图和顺序号 Glass Clamp structure drawing with sequence number					
A1	A2	A3	A4	A5	A6
配驳接件结构图和顺序号 Balustrade Bracket structure drawing with sequence number					
B1	B2	B3	B4	B5	B6

注：A2与A3、A5与A6、B2与B3、B5与B6为同类立柱
Note: A2&A3, A5&A6, B2&B3, B5&B6 are same type pillars

Double-plate Pillar BS6 双板立柱BS6



●玻璃夹标配B03P、驳接爪件标配T05 Glass Clamp with B03P, Balustrade Bracket with T05

配玻璃夹结构图和顺序号 Glass Clamp structure drawing with sequence number					
A1	A2	A3	A4	A5	A6
配驳接件结构图和顺序号 Balustrade Bracket structure drawing with sequence number					
B1	B2	B3	B4	B5	B6

注：A2与A3、A5与A6、B2与B3、B5与B6为同类立柱
Note: A2&A3, A5&A6, B2&B3, B5&B6 are same type pillars