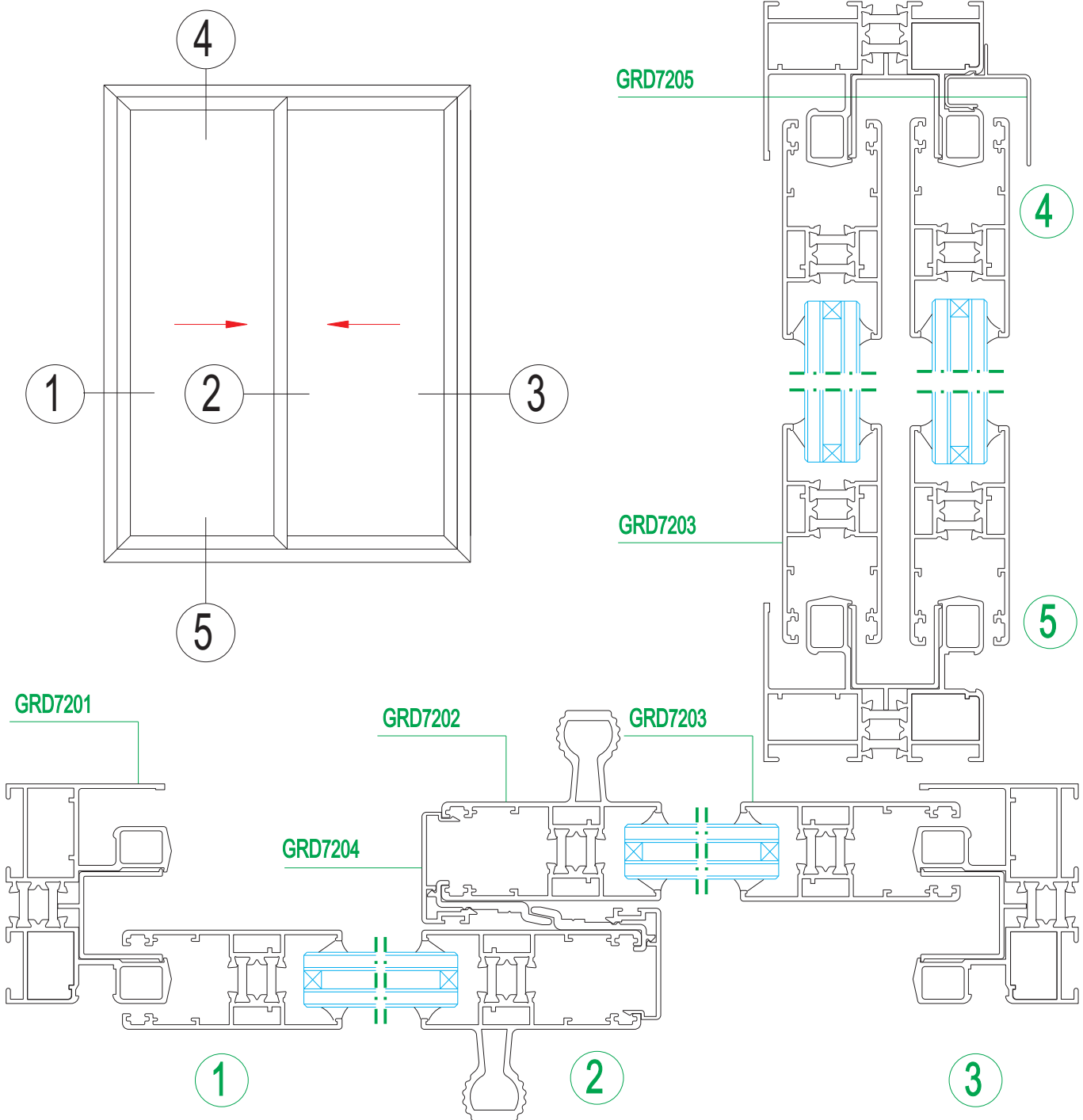


# Thermal barrier energy saving door/window

## Series GRD72 sliding window

Aluminum Frame Curtain Wall, Door and Window

铝框玻璃幕墙及门窗

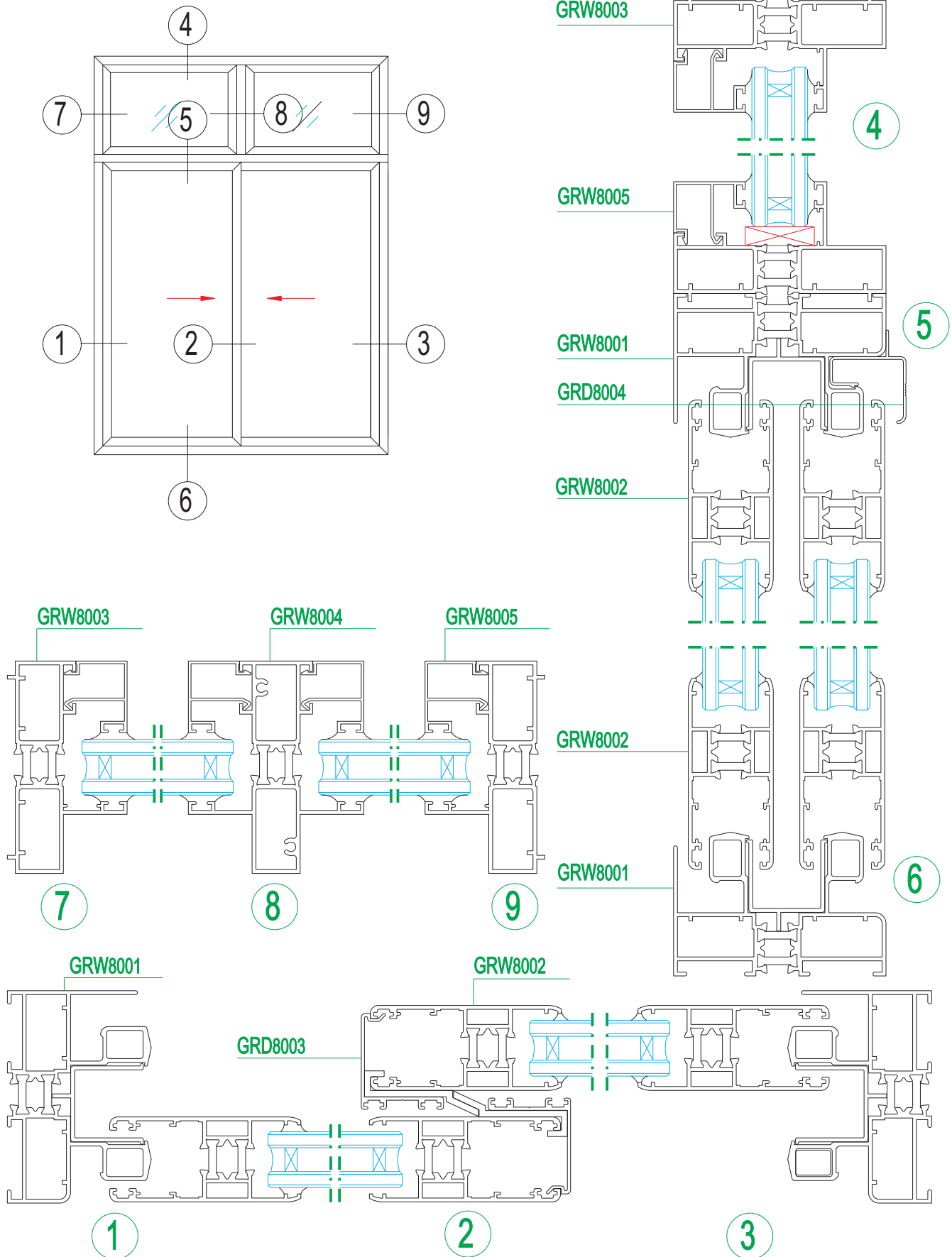


# Thermal barrier energy saving door/window

## Series GRW80 sliding window

Aluminum Frame Curtain Wall, Door and Window

铝框玻璃幕墙及门窗

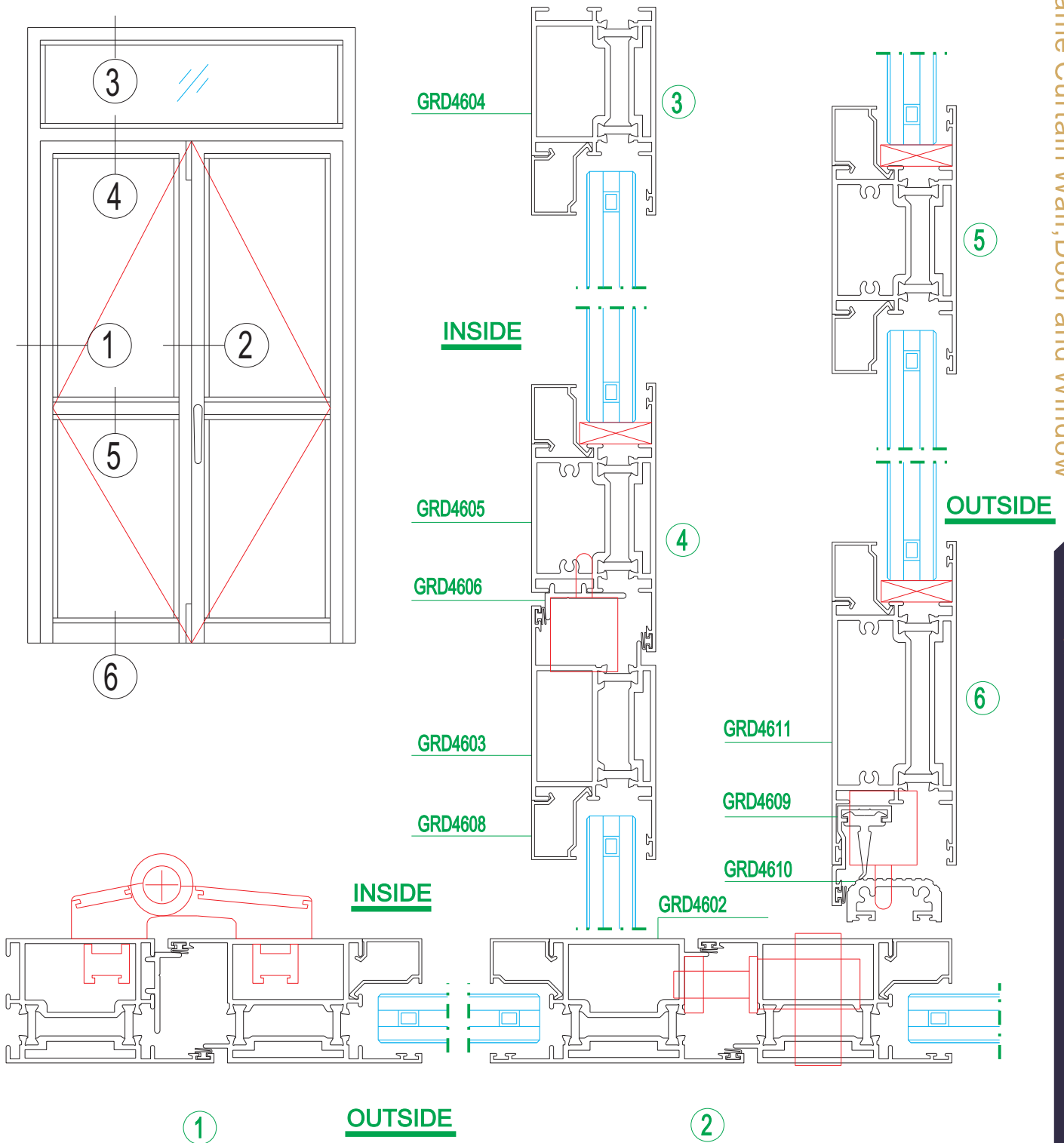


# Thermal barrier energy saving door/window

## Series GRD46 side-hung door

Aluminum Frame Curtain Wall, Door and Window

铝框玻璃幕墙及门窗

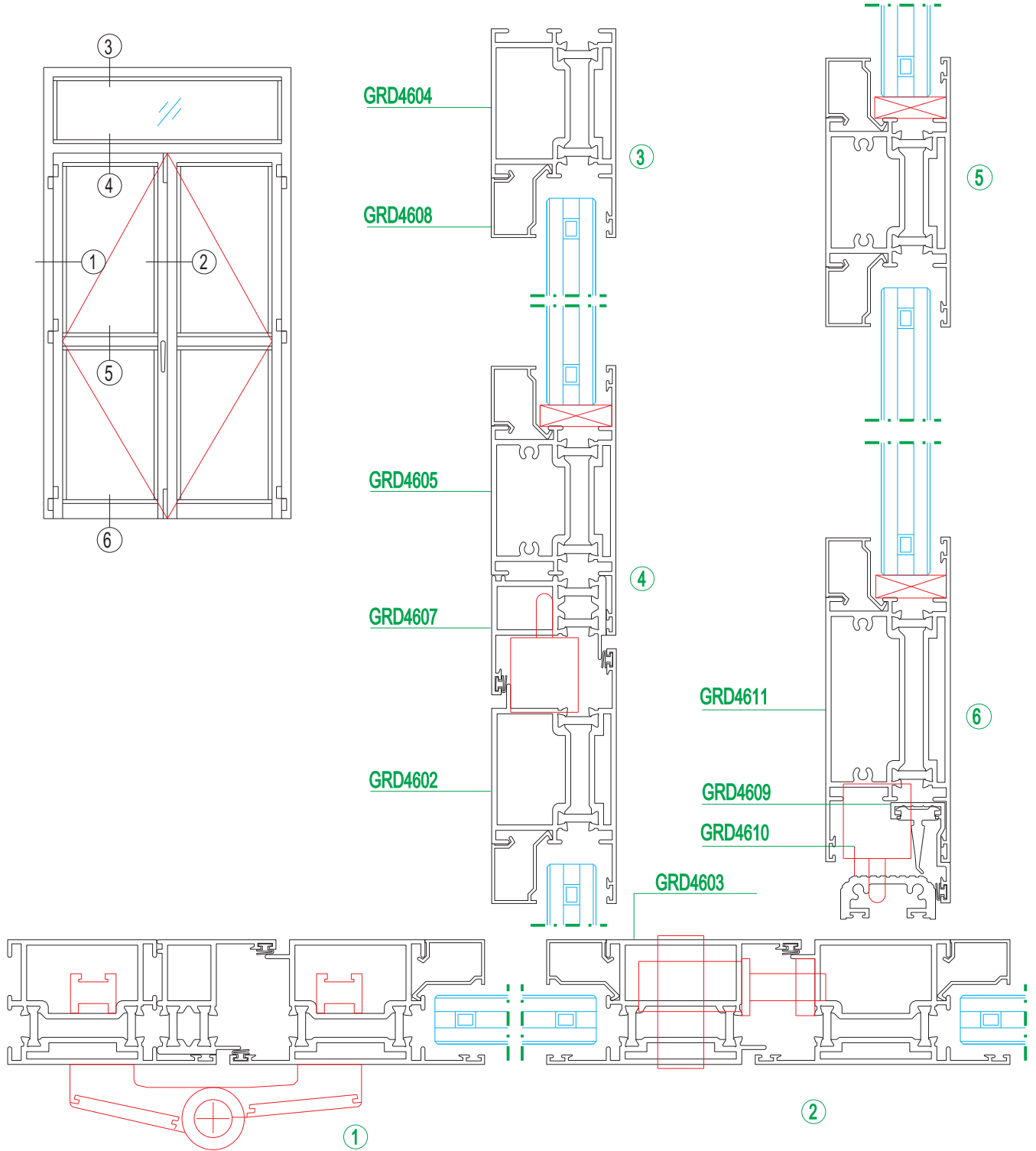


# Thermal barrier energy saving door/window

## Series GRD46 side-hung door

Aluminum Frame Curtain Wall, Door and Window

铝框玻璃幕墙及门窗

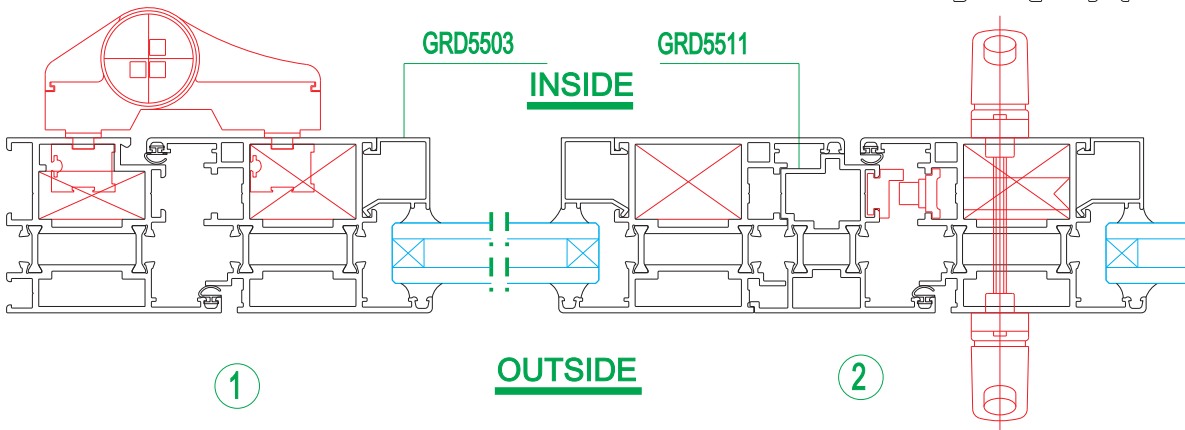
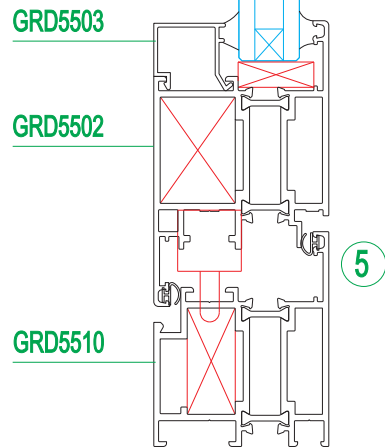
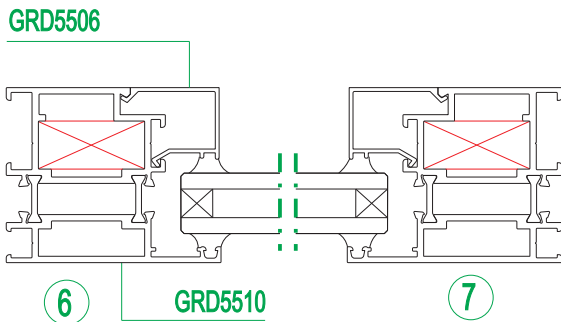
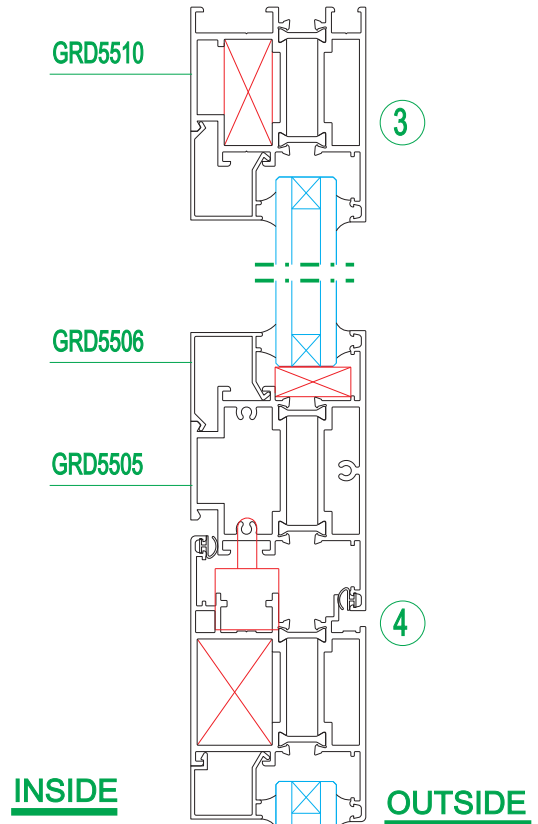
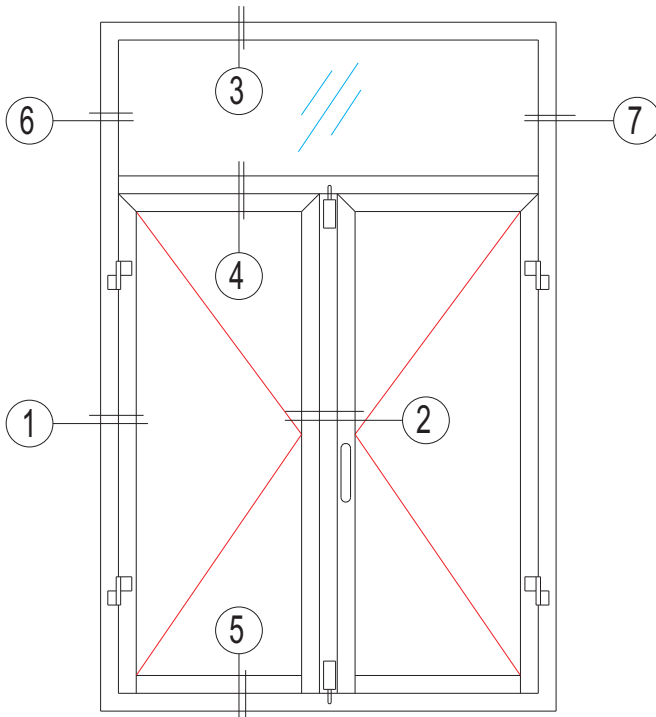


# Thermal barrier energy saving door/window

## Series GRD55 side-hung door

Aluminum Frame Curtain Wall, Door and Window

铝框玻璃幕墙及门窗



# Thermal barrier energy saving door/window

## Series GLW140 lift & sliding door

Aluminum Frame Curtain Wall, Door and Window

铝框玻璃幕墙及门窗

