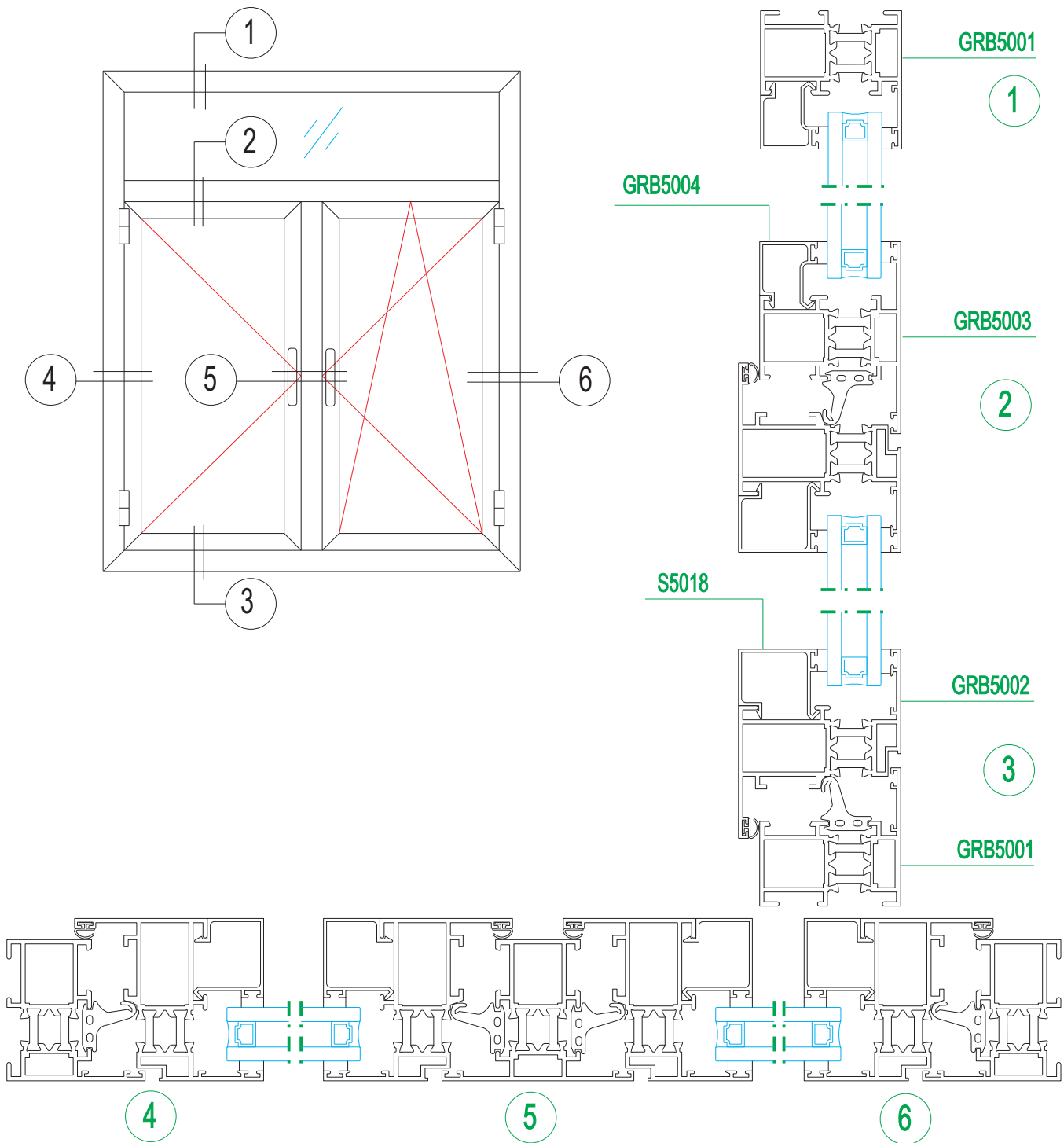


# Thermal barrier energy saving door/window

## Series GRB50 tilt & turn window

Aluminum Frame Curtain Wall, Door and Window

铝框玻璃幕墙及门窗

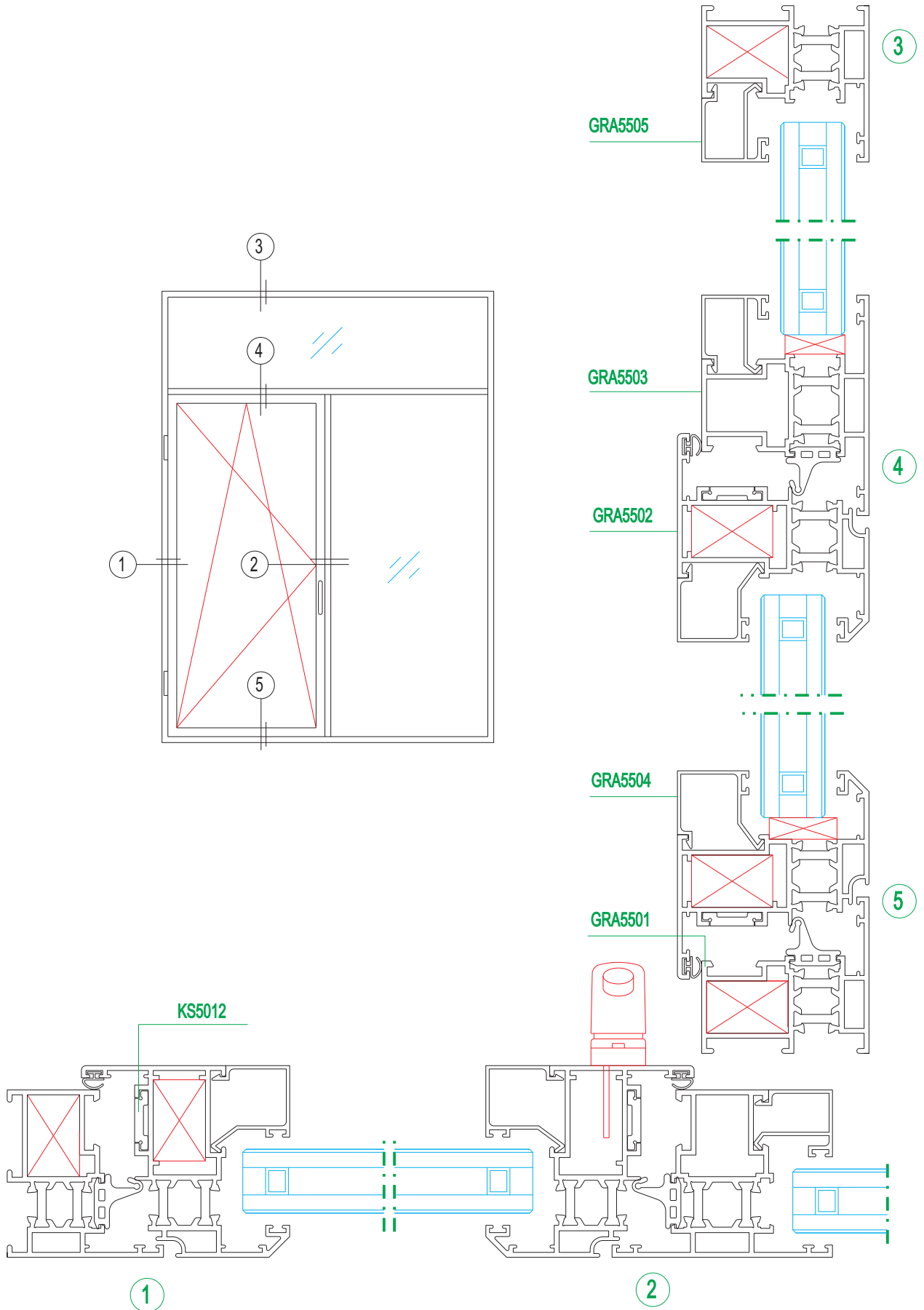


# Thermal barrier energy saving door/window

## Series GRA55 tilt & turn window

Aluminum Frame Curtain Wall, Door and Window

铝框玻璃幕墙及门窗

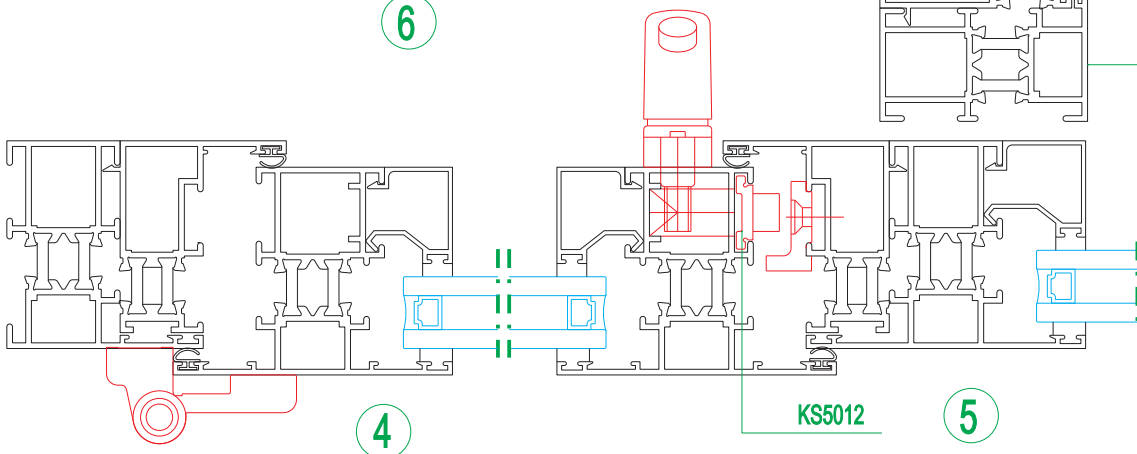
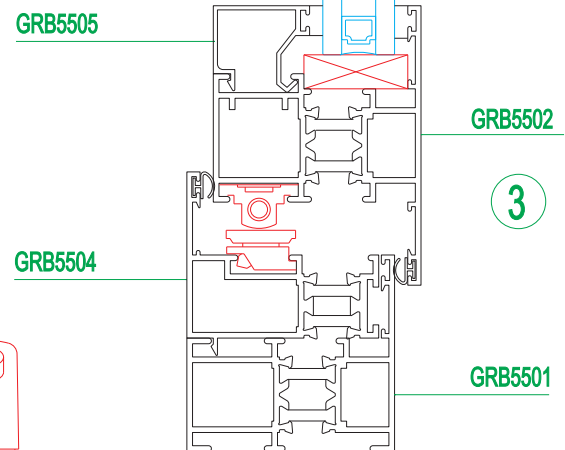
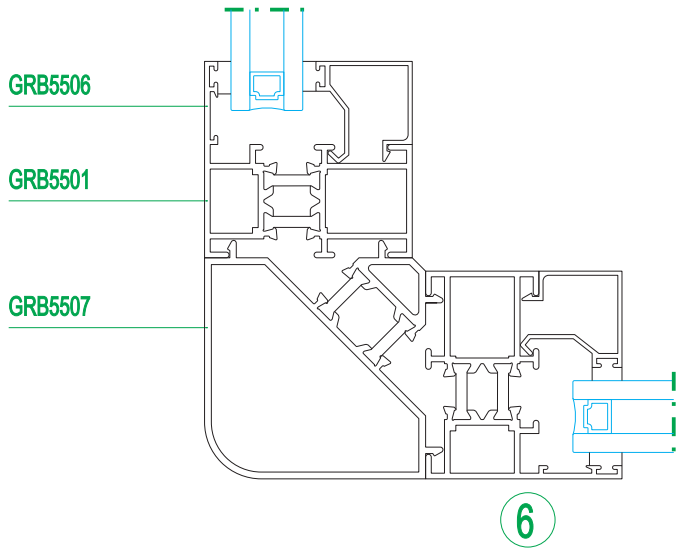
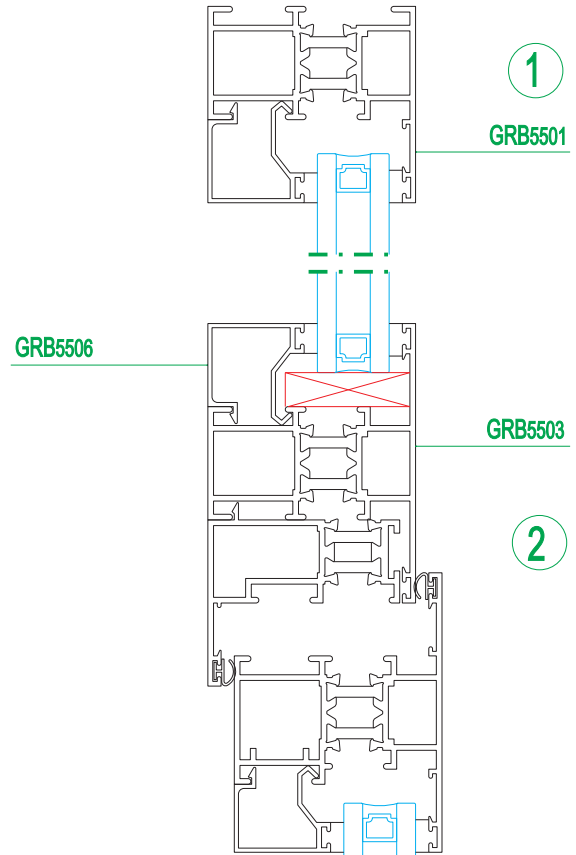
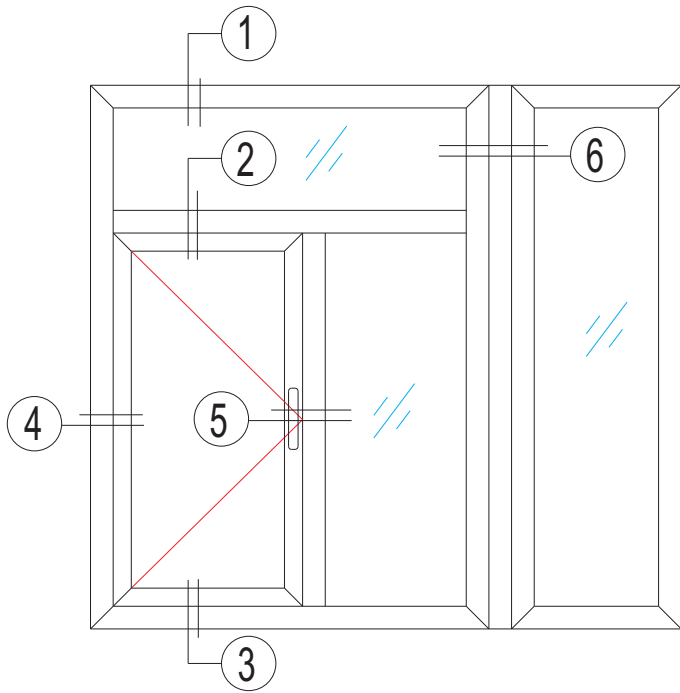


# Thermal barrier energy saving door/window

## Series GRB55 side-hung window

Aluminum Frame Curtain Wall, Door and Window

铝框玻璃幕墙及门窗

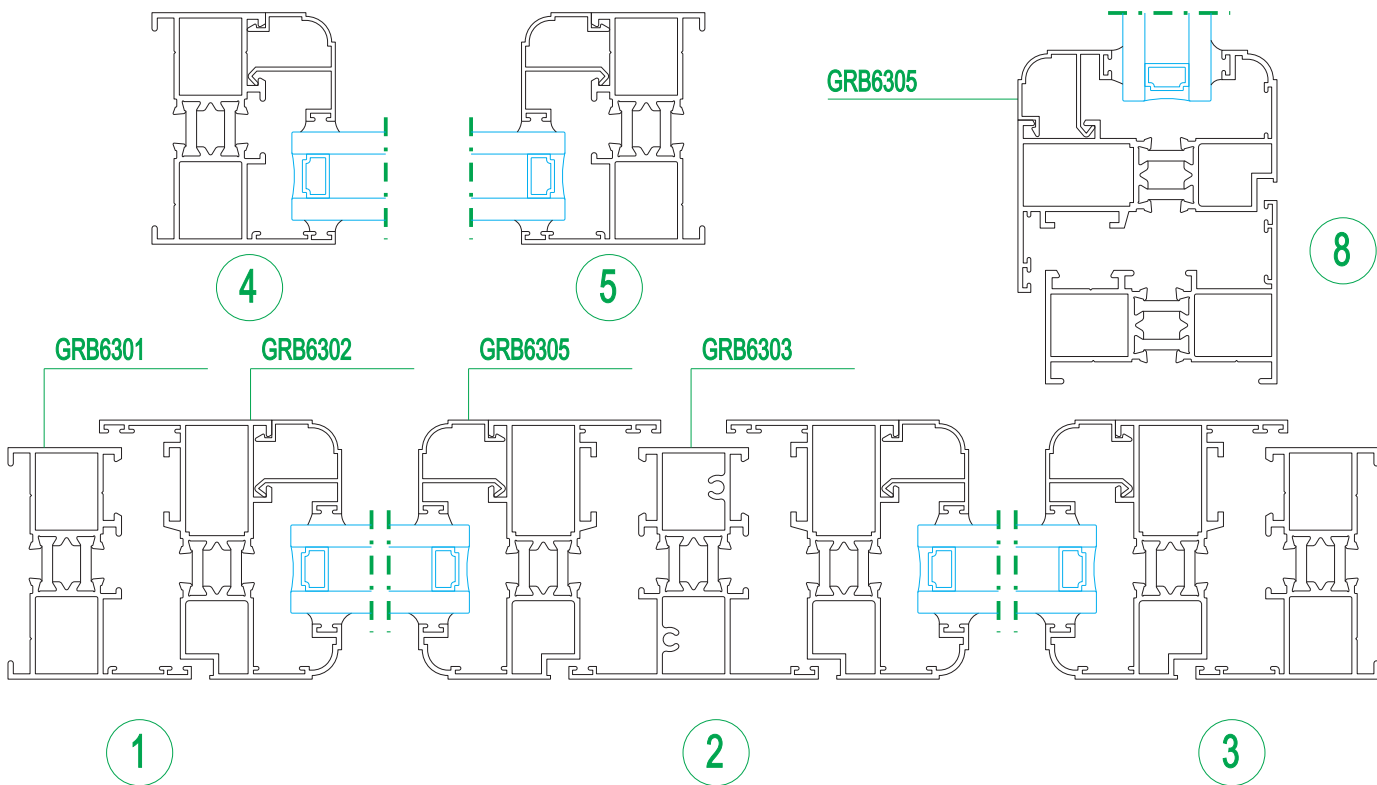
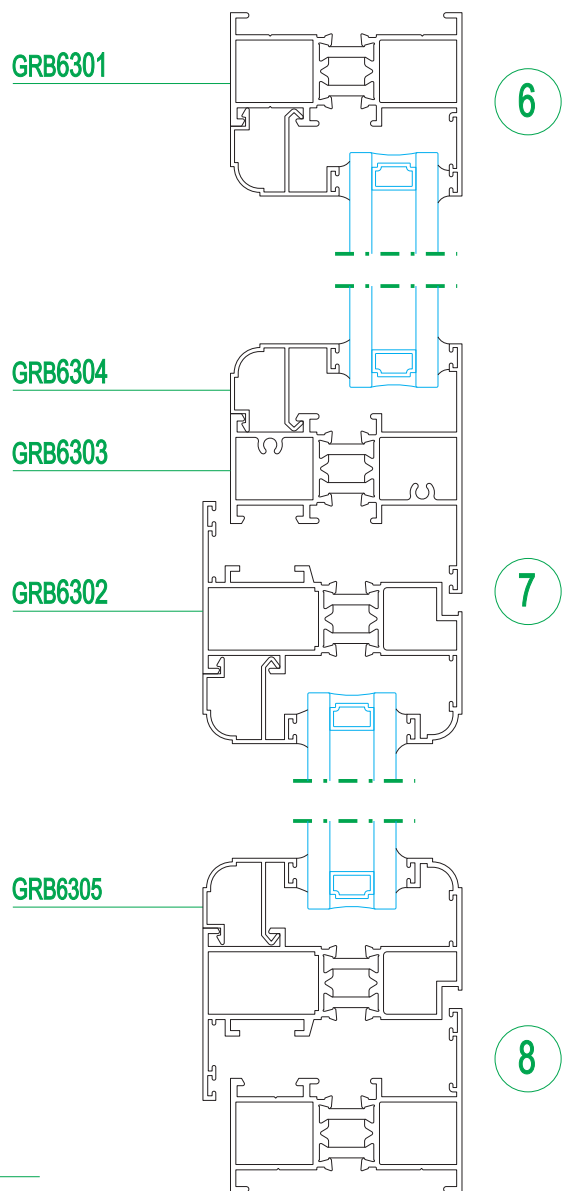
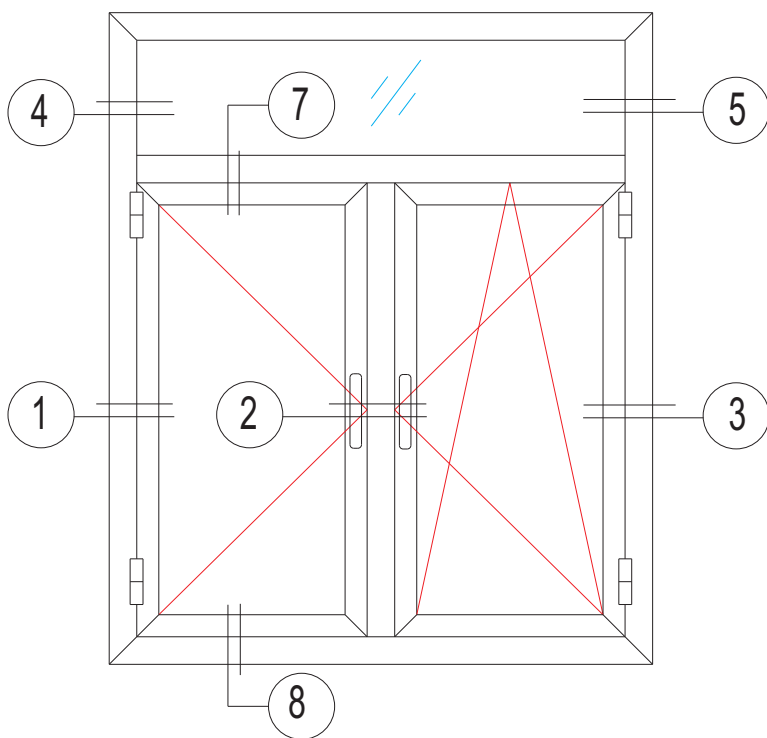


# Thermal barrier energy saving door/window

## Series GRB63 tilt & turn window

Aluminum Frame Curtain Wall, Door and Window

铝框玻璃幕墙及门窗

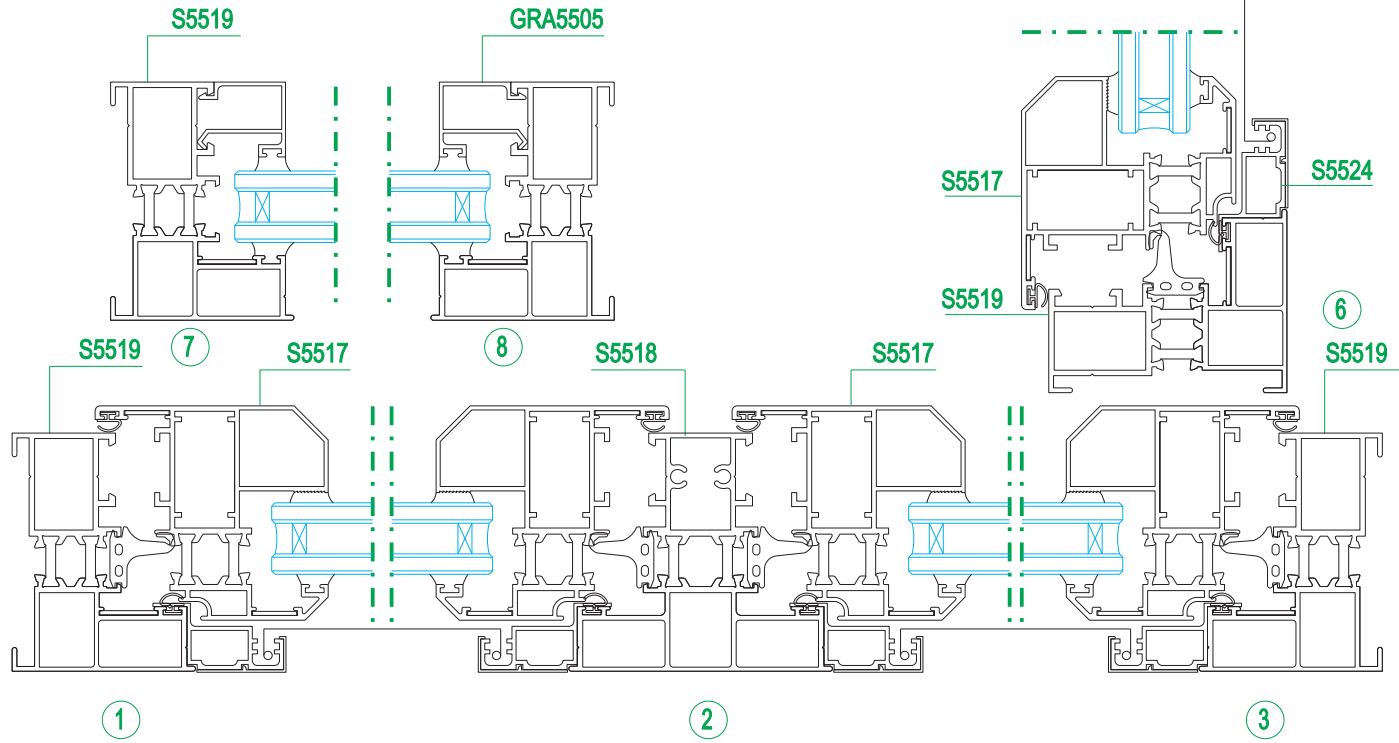
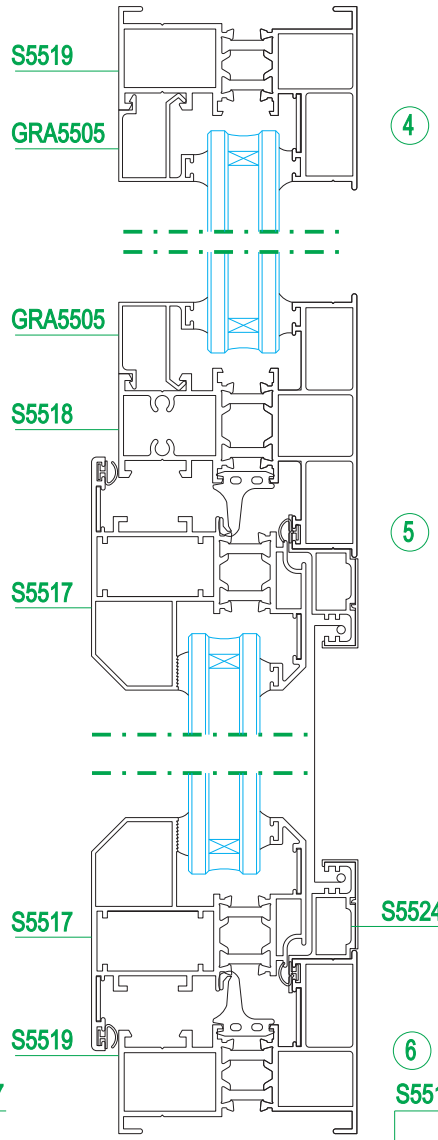
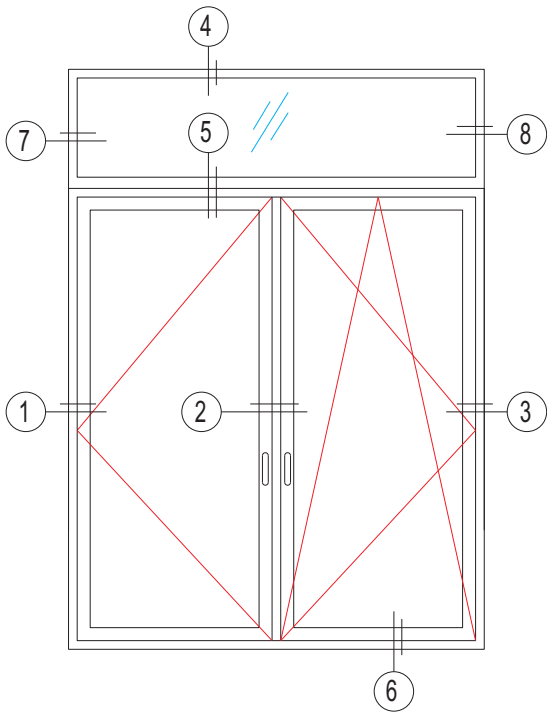


# Thermal barrier energy saving door/window

## Series S55 tilt & turn window

Aluminum Frame Curtain Wall, Door and Window

铝框玻璃幕墙及门窗

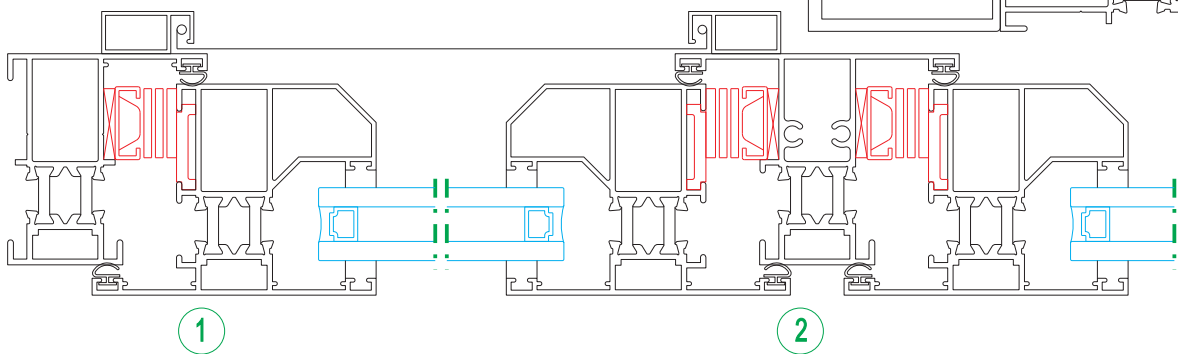
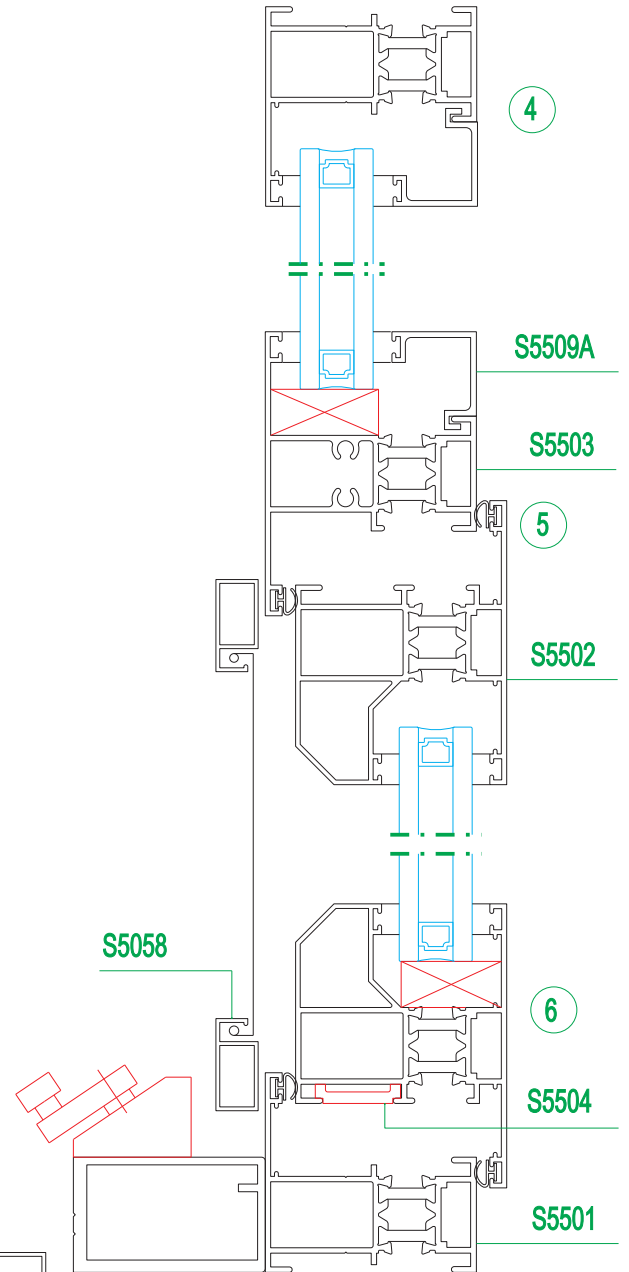
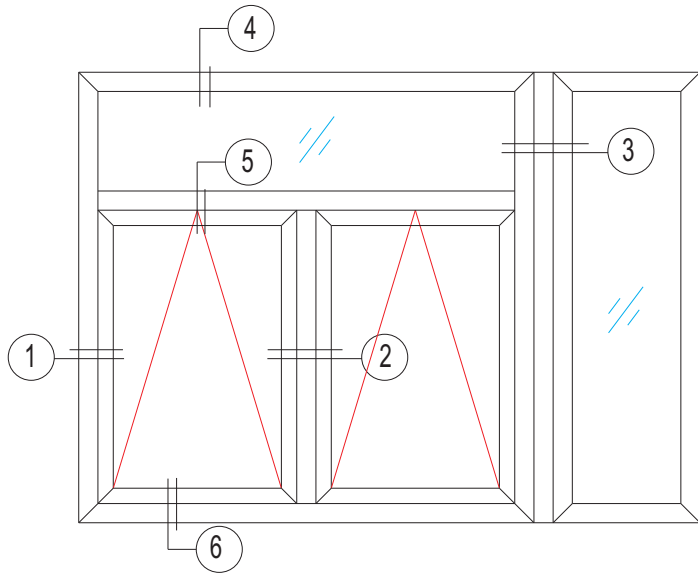


# Thermal barrier energy saving door/window

## Series S55 side-hung window

Aluminum Frame Curtain Wall, Door and Window

铝框玻璃幕墙及门窗

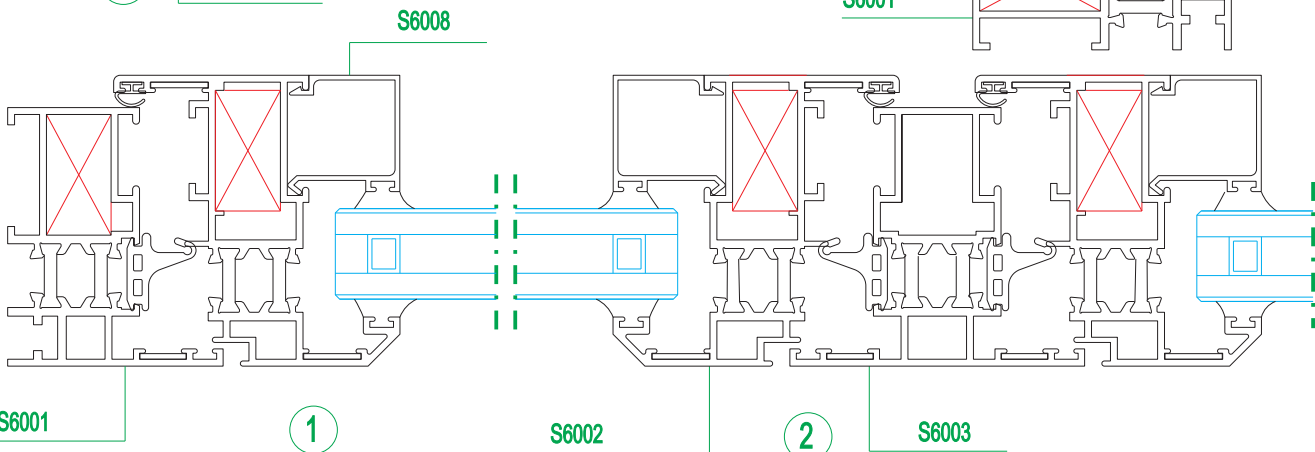
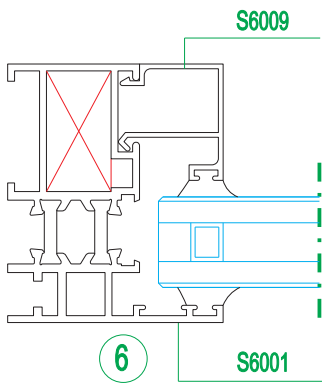
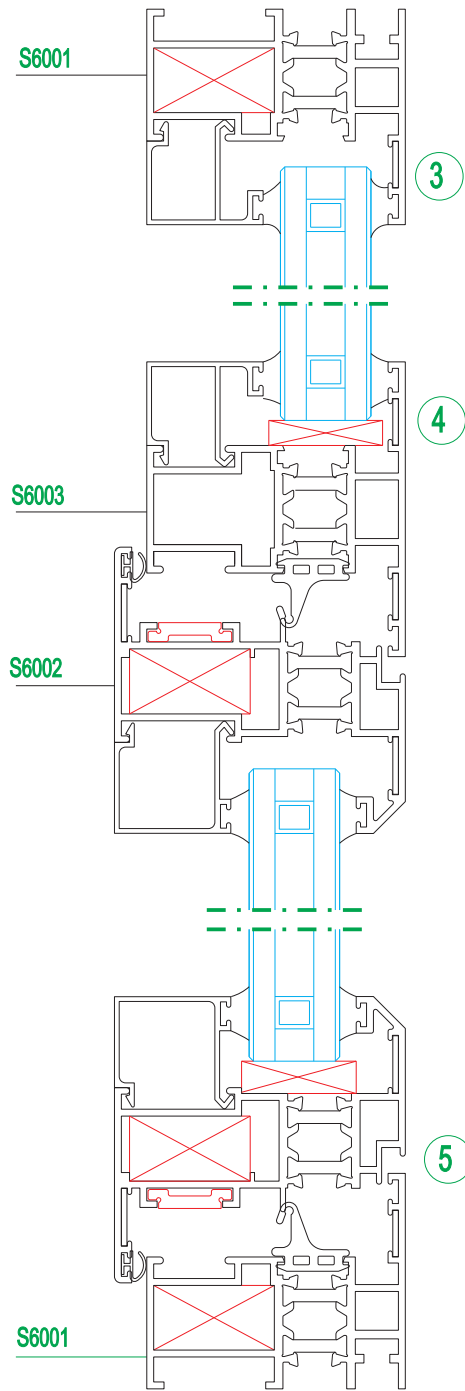
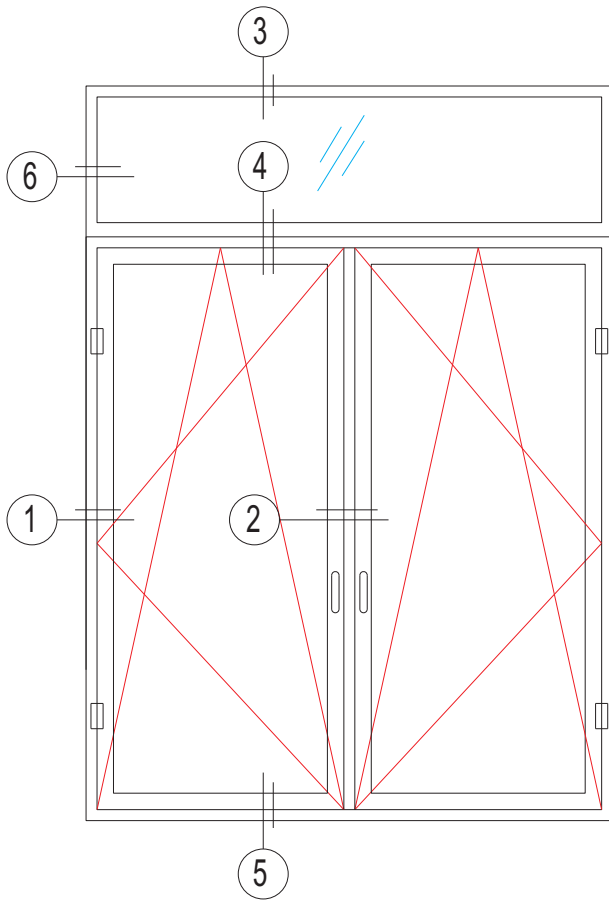


# Thermal barrier energy saving door/window

## Series S60 tilt & turn window

Aluminum Frame Curtain Wall, Door and Window

铝框玻璃幕墙及门窗



# Thermal barrier energy saving door/window

## Series JH60 sliding window

Aluminum Frame Curtain Wall, Door and Window

铝框玻璃幕墙及门窗

